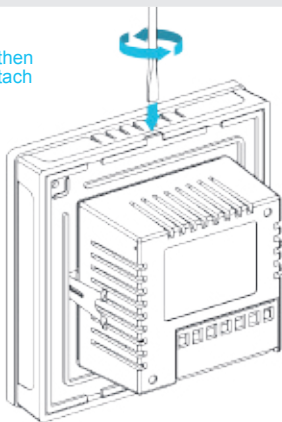
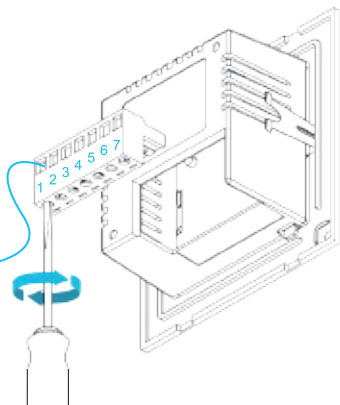


# SEDNA™ Installation Guide

Push and then twist to detach the base.



- 1 Phase
- 2 Fan 1
- 3 Fan 2
- 4 Fan 3
- 5 Heat
- 6 Cool
- 7 Null



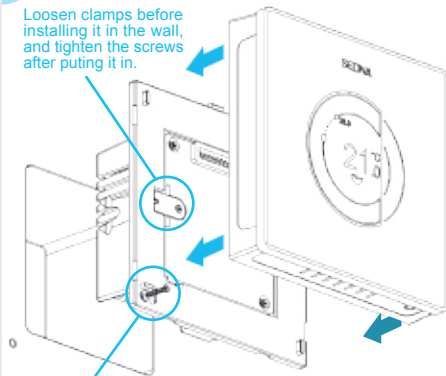
1 2  
3

## Technical Specification

Display	262K Color 1.9"
Display Frame	88*88*17 mm
Sensor Resolution	0.1°C
Setpoint Range	10-35°C
Power Supply	AC 220V ±10%, 50/60Hz, 3/5A
Interface	Slide and Click capacitive touch

For assistance with  
**SEDNA™**  
please visit  
[www.SEDNAind.com](http://www.SEDNAind.com)

Loosen clamps before installing it in the wall, and tighten the screws after putting it in.



In case to fix sedna if necessary.